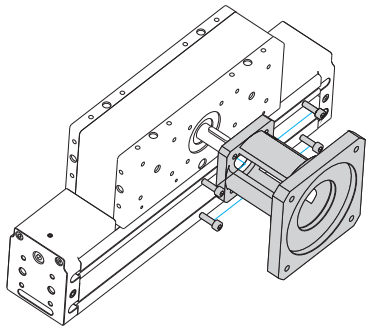


**MOUNTING**

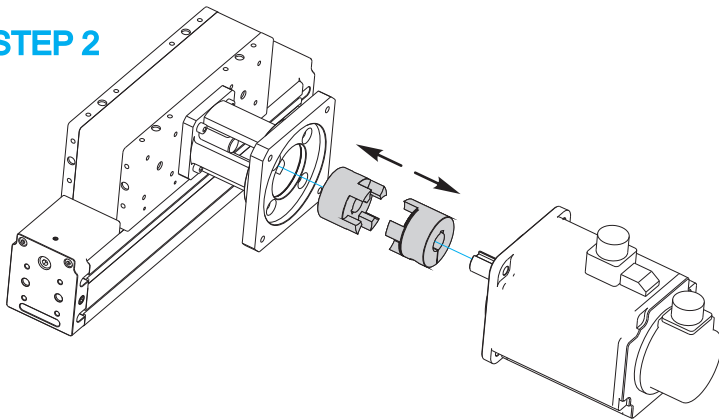
**Motor with coupling**

**STEP 1**

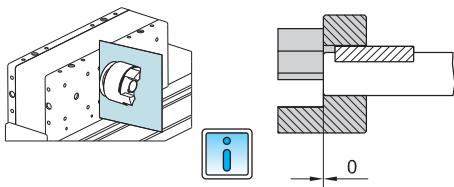


**STEP 1:** Attach the motor adapter on a pre-prepared location on the Linear Unit.

**STEP 2**



**STEP 2:** Place the coupling halves on the drive journal of the Linear Unit and the motor.

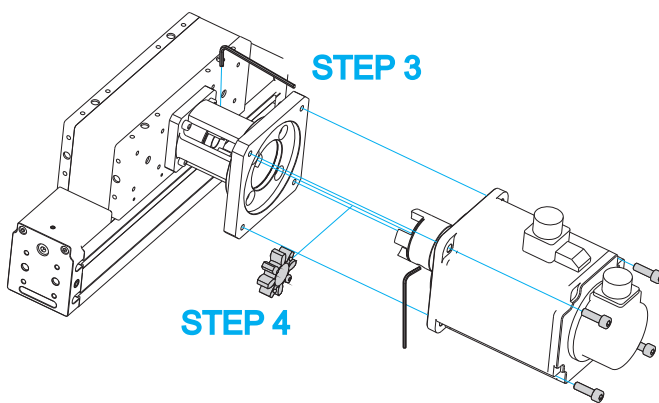


**STEP 3**

**STEP 3:** Ensure that the coupling halves and the drive journals are correctly aligned.



Tighten the screws on the coupling halves with the coupling tightening torque.



**STEP 3**

**STEP 4**

**STEP 5**

**STEP 4:** Insert the coupling spider into one of the coupling halves.

**STEP 5:** Attach the motor on the motor adapter with screws and join the coupling halves together at the same time.



Maximum torque and the maximum speed of the motor must never exceed the limits of the Linear Unit!



For the tightening torques for the screws please refer to page number 1.005.0