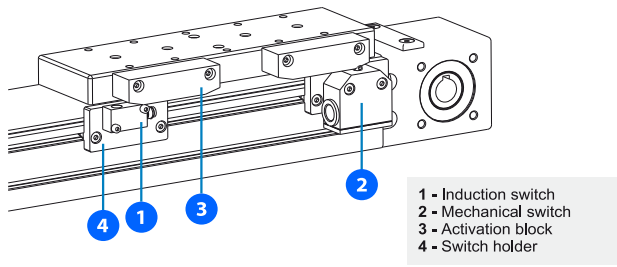
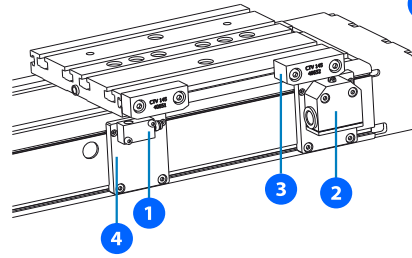


### MTJ / MRJ / MTV



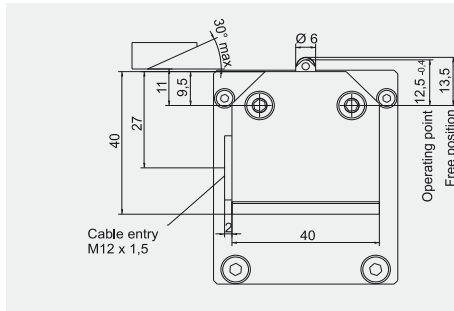
### CTV / CTJ



**i** Mounting and using the Induction and Mechanical switch, can be done only if the CTV and CTJ series Linear Units are delivered with Connection plates.

## MS- Mechanical switch

### TECHNICAL DATA

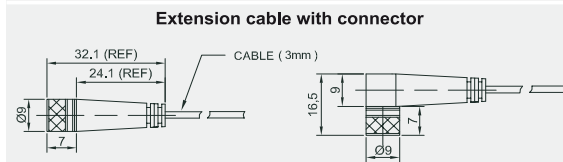
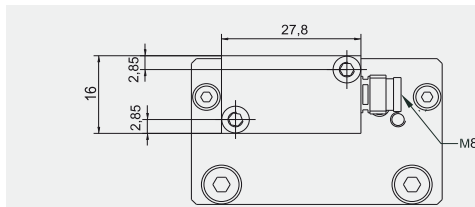


Protection class IEC 60529	IP 67
Ambient temperature	-5°C ...+80°C
Operating point accuracy	± 0.05 mm
Approach speed max.	45 m/min
Approach speed min.	0,01 m/min
Switching contact	1 changeover
Switching principle	Snap-action
Rated voltage	250 V AC
Switching current, min. at	10 mA
Switching voltage	24 V DC
Cable entry	M12 x 1,5

ORDERING CODES	MTJ/MRJ 40	MTJZ 40	MTV 40	MTJ/MRJ/MTV 65 MTJZ 65/80	MTJ/MRJ/MTV 80	MTJ/MRJ/MTV 110	MTJZ 110	MTJ ECO 40	CTV/CTJ 90	CTV/CTJ 110	CTV/CTJ 145	CTV/CTJ 200
+ 2x	43243	52022	43243	43247	43256	47827	63702	49030	49032	49031	40652	40652
	47921											
2x  + 2x  + 2x	40683	104970	40687	40689	47826	63703	49035	49034	49033	47939	53055	

## IS- Inductive switch

### TECHNICAL DATA



Sensor Type	PNP
Switching function	NC / NO
Rated voltage	10 ~ 30 V DC
Switching Current	150 mA max.
Ambient temperature	-25°C ...+70°C
Switching Frequency	800 Hz max.
Voltage Drop	3,5 V
Protection class	IP 67
Electrical connection	M8, 3-pin
Extension cable	Energy chain compliant - bending radius 75 mm
Cable material/Length	PU
Cable length	2m / 5m
Cable length	M8, 3-pin Straight or Angeled connector

ORDERING CODES	MTJ/MRJ 40	MTJZ 40	MTV 40	MTJ/MRJ/MTV 65 MTJZ 65/80	MTJ/MRJ/MTV 80	MTJ/MRJ/MTV 110	MTJZ 110	MTJ ECO 40	CTV/CTJ 90	CTV/CTJ 110	CTV/CTJ 145	CTV/CTJ 200
+ 2x	43243	52022	43243	43247	43256	47827	63702	49030	49032	49031	40652	40652
	40671											
2x  + 2x  + 2x	40680	104968	48026	43233	48047	63705	45105	49039	49038	48058	53054	
	43570											
2x  + 2x  + 2x	48851	104969	40685	47848	47989	63704	45103	49037	49036	47850	53052	
										8146		
										8147		
										9017		
										9019		